

4

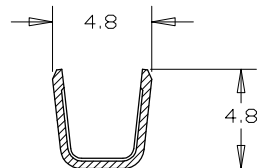
3

2

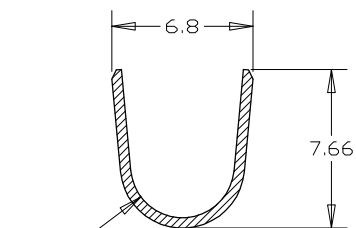
1

THIS DRAWING IS UNPUBLISHED. RELEASED FOR PUBLICATION .19
© COPYRIGHT 19 BY AMP INCORPORATED. ALL RIGHTS RESERVED.

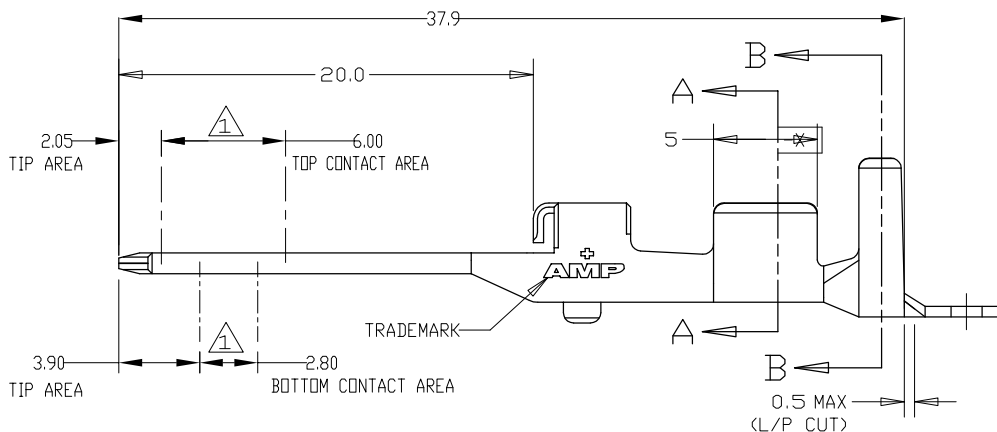
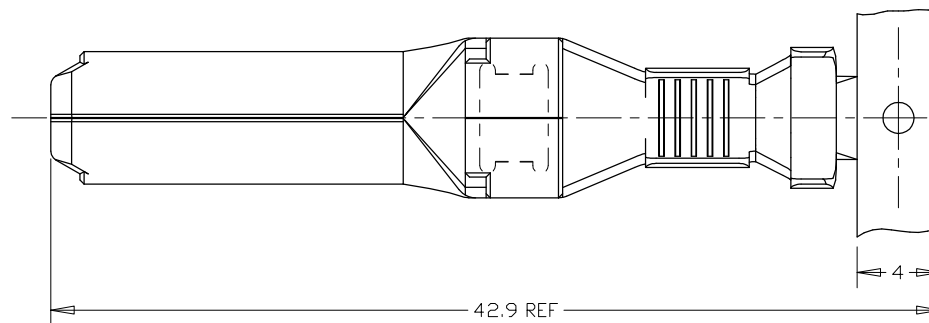
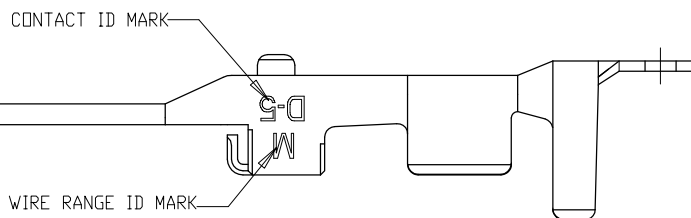
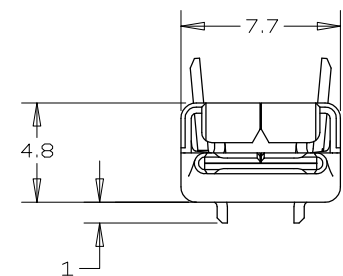
LDC	DIST	REVISIONS		
ES	00	P	LTR	DESCRIPTION
				DATE
		B		RELEASED FB00-00291-04
				DATE
				DWN
				APVD
				13DEC04
				C.W
				I.E



SECTION A-A



SECTION B-B



Δ	84695-1
FINISH	PART NO.

WIRE RANGE	INSULATION DIA
3.08/5.5mm ² AWG #12/#10	4/5.2mm ϕ

NOTES:

Δ FINISH : 0.2 μ m MIN GOLD (CONTACT AREA) PLATING OVER Ni UNDER PLATING ALL OVER
EXCEPT INSIDE OF CONTACT BOX
GOLD PLATING THK DID NOT CONTROL AT CONTACT TIP AREA

2. TOLERANCES UNLESS OTHERWISE SPECIFIED

- * <10 : ± 0.3
- 10 < * <30 : ± 0.35
- 30 < * <100 : ± 0.4
- ANGLE: $\pm 3^\circ$

THIS DRAWING IS A CONTROLLED DOCUMENT FOR AMP INCORPORATED. IT IS SUBJECT TO CHANGE AND THE CONTROLLING ENGINEERING ORGANIZATION SHOULD BE CONTACTED FOR THE LATEST REVISION.		DWN	3JAN'00	 AMP MANUFACTURING (SINGAPORE) PTE. LTD.												
DIMENSIONS:		CHK	3JAN'00													
mm		LP TAN	31MAY'01													
TOLERANCES UNLESS OTHERWISE SPECIFIED		APVD	NAME													
<table border="1"> <tr> <td>0 PLC</td> <td>± 0.30</td> </tr> <tr> <td>1 PLC</td> <td>± 0.35</td> </tr> <tr> <td>2 PLC</td> <td>± 0.40</td> </tr> <tr> <td>3 PLC</td> <td>± 0.40</td> </tr> <tr> <td>4 PLC</td> <td>± 0.40</td> </tr> <tr> <td>ANGLES</td> <td>$\pm 3^\circ$</td> </tr> </table>		0 PLC	± 0.30	1 PLC	± 0.35	2 PLC	± 0.40	3 PLC	± 0.40	4 PLC	± 0.40	ANGLES	$\pm 3^\circ$	WL CHOO	PRODUCT SPEC	TAB CONTACT "M" SIZE <DYNAMIC D-5000 SERIES>
0 PLC	± 0.30															
1 PLC	± 0.35															
2 PLC	± 0.40															
3 PLC	± 0.40															
4 PLC	± 0.40															
ANGLES	$\pm 3^\circ$															
MATERIAL		APPLICATION SPEC	114-51009	SIZE												
COPPER ALLOY		WEIGHT	2.08g	CAGE CODE												
SEE TABLE		CUSTOMER DRAWING		DRAWING NO												
				00779												
				©=84695												
				SCALE 4:1												
				SHEET 1 OF 1												
				REV B												